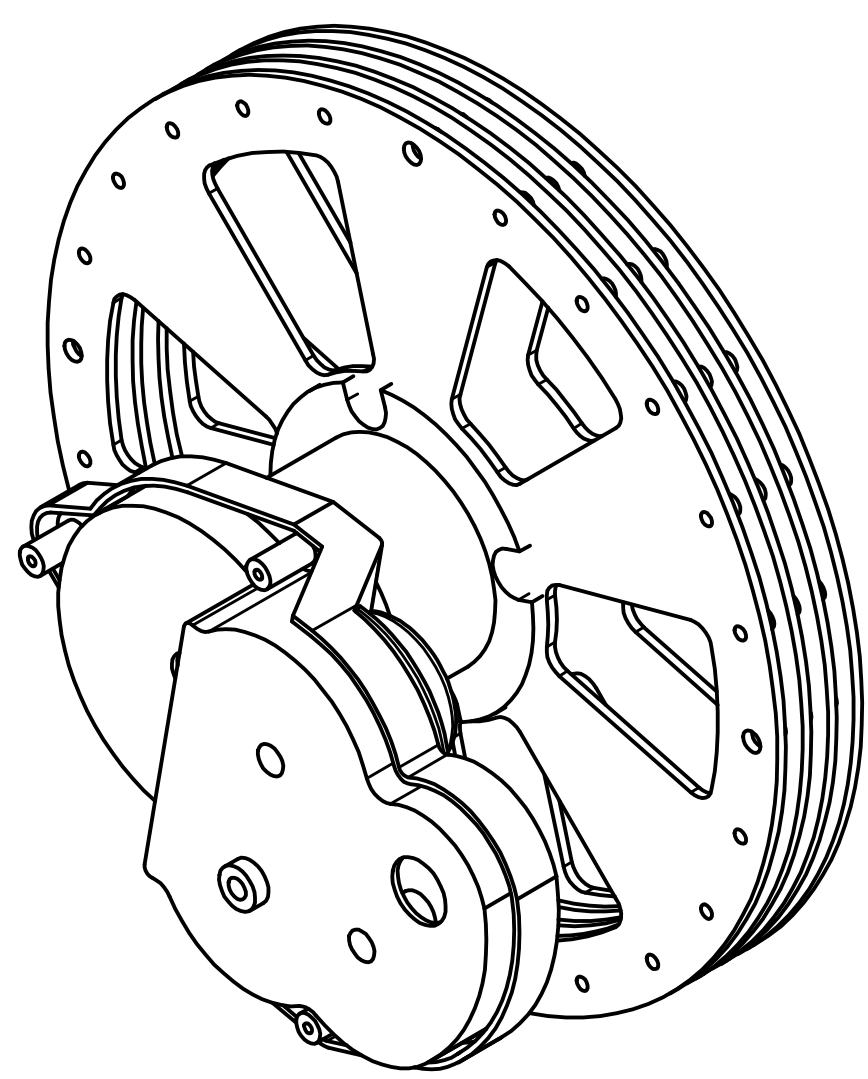
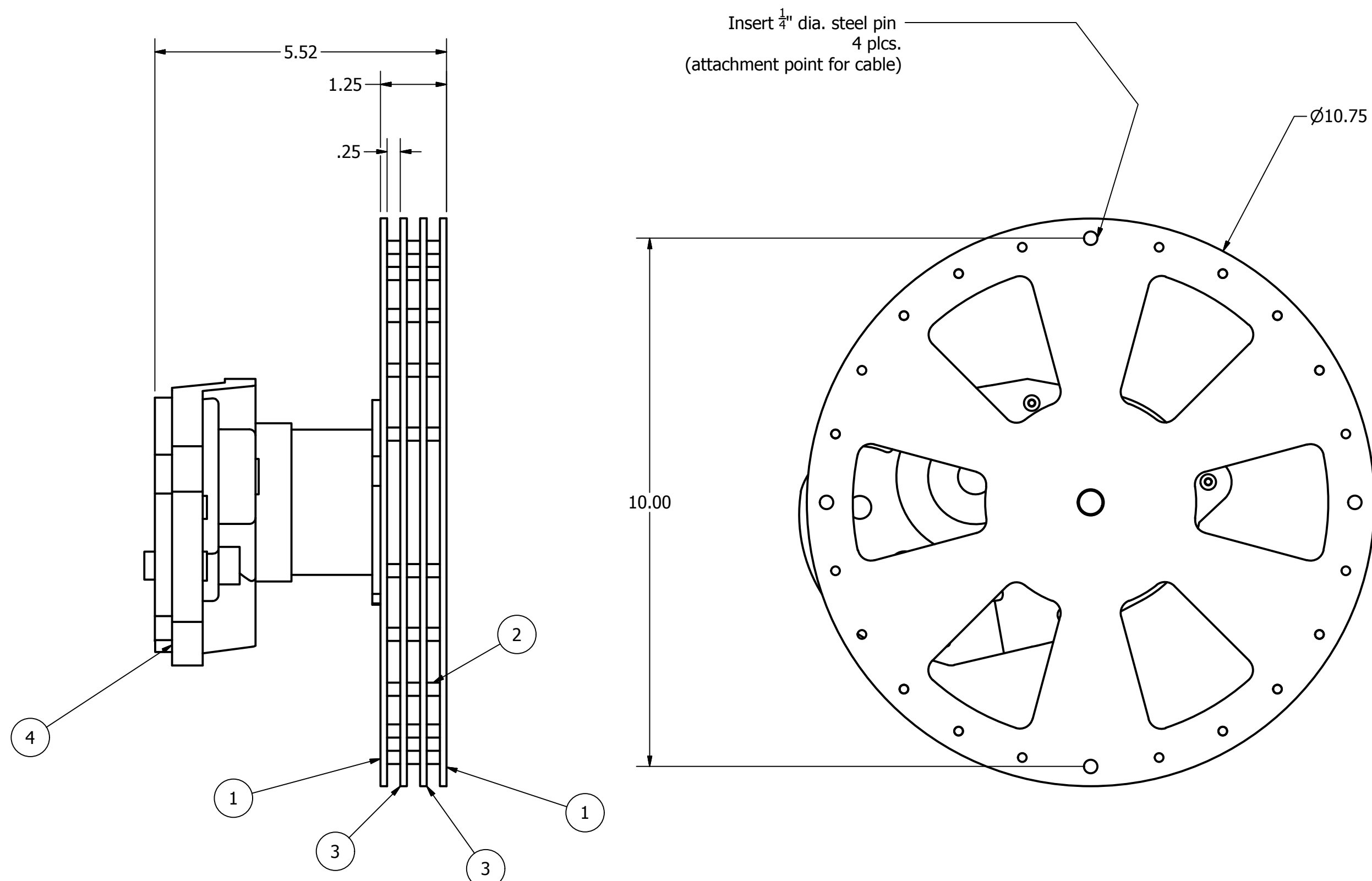


PRODUCED BY AN AUTODESK EDUCATIONAL PRODUCT

PRODUCED BY AN AUTODESK EDUCATIONAL PRODUCT



PARTS LIST			
ITEM	QTY	PART NUMBER	DESCRIPTION
1	2	spool flange	
2	60	spool pin	McMaster 94639A293 1/4 x .166 x 1/4" Lg.
3	2	Inner spool ring	
4	1	fptransmission	
5	1	fisherpricejeepdriver	

DRAWN stc21630	1/26/2011		
CHECKED		TITLE	
QA			
MFG			
APPROVED			
		SIZE C	DWG NO spool assembly
		SCALE	REV
			SHEET 1 OF 1